



PAP[®]

Girder clamp for loads
from 1,000 to 5,000 kg

 **VERLINDE**
LIFTING EQUIPMENT

PAP[®]

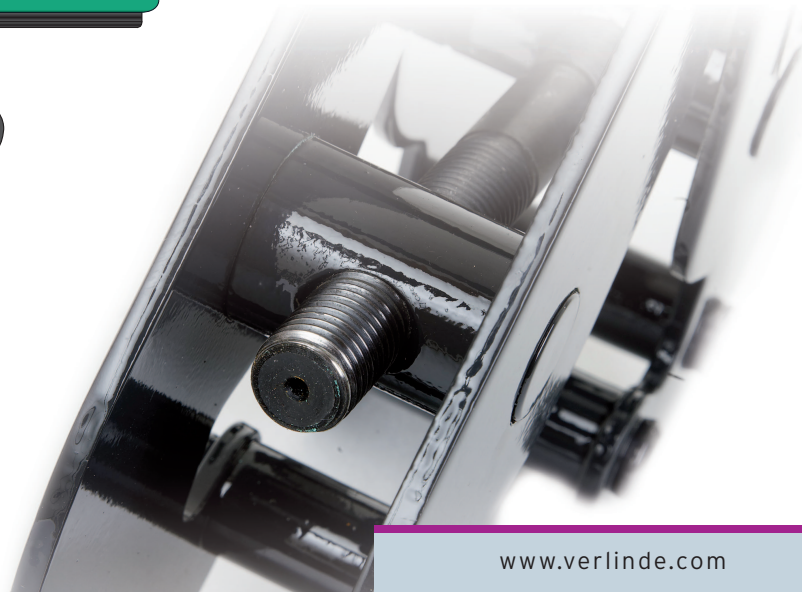
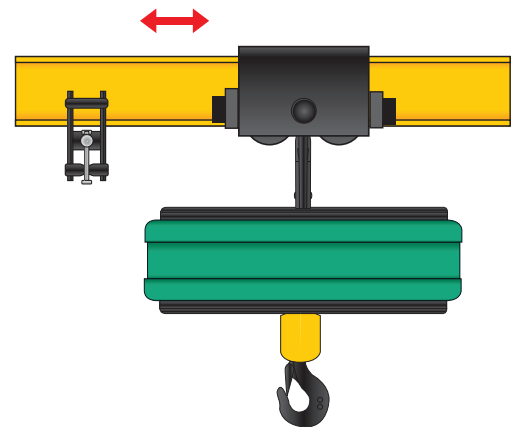
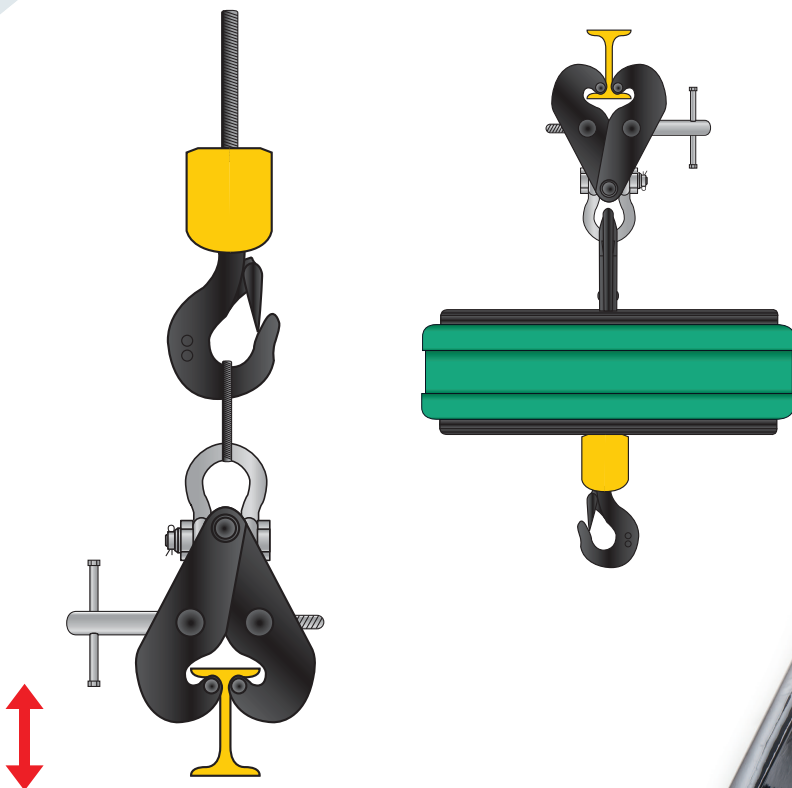


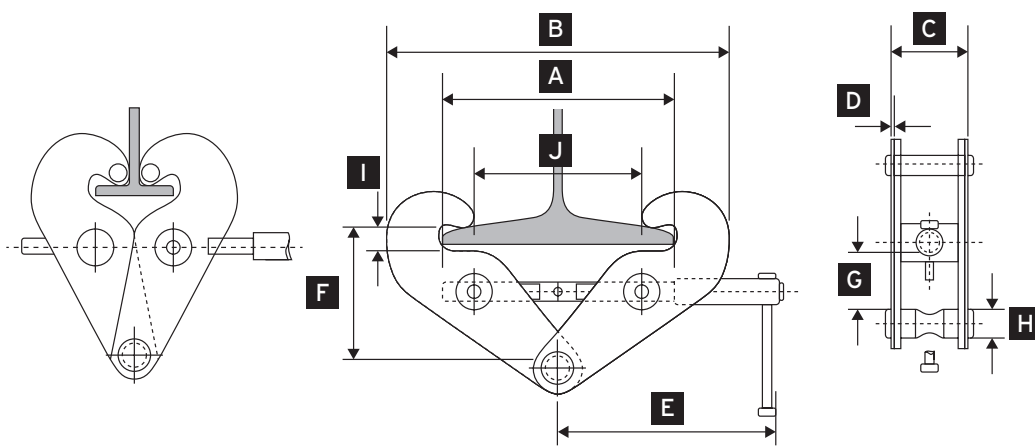
Girder clamp
for loads from
1,000 à 5,000 kg

VERLINDE PAP girder clamps can be used for fastening lifting equipment to overhead beams, hoisting attachment points or mounting economical mechanical stops.

The sky's the limit with VERLINDE PAP girder clamps !

► Examples of uses





Load	I-beam width range (mm)	Net weight (kg)	A (mm)	B maxi (mm)	B mini (mm)	C (mm)	D (mm)	E (mm)	F maxi (mm)	F mini (mm)	G mini (mm)	H (mm)	I (mm)	J (mm)
1000	75-230	3.9	240	192	340	70	5	210	150	45	75	20	20	185
2000	75-230	5	240	192	340	78	6	210	150	45	90	20	20	185
3000	80-320	9.5	316	238	445	106	8	250	207	165	76	22	34	261
5000	90-310	11.3	306	248	455	114	10	250	210	167	76	28	34	251



VERLINDE is :

- The leading French manufacturer and exporter of lifting and handling equipment.
- A comprehensive range of 30 groups of lifting equipment from 60 to 250,000 kg.
- ISO 9001 Quality control certified.



Our references

Metallurgical, Mechanical, Nuclear industries → ArcelorMittal - Unimetal - Stein - NFM - Framatome - Alstom

Chemical and Petrochemical industries → Sanofi Aventis - Du Pont De Nemours - Total

Aeronautics industry → Aérospatiale - Airbus - Eurocopter - Air France - Aéroport de Paris - Snecma - Dassault Aviation

Agri-food industry → Nestlé - Danone - Bel

Automobile industry → Renault - Peugeot - Citroën - Scania - Ford - RVI - Volkswagen - Michelin - Massey Ferguson - Manitou - Toyota Industrial Equipment

Other sectors → EDF - SNCF - RATP - Spie - Degremont - Eiffage - Polysius - Baudin Chateauneuf



In France :

A sales network and after sales service points, EUROPONT travelling crane construction plants and a distributor network.

Rest of world :

A customer service in more than 55 countries.



2, boulevard de l'Industrie - B.P. 20059 - 28509 Vernouillet cedex - France

Phone : (33) 02 37 38 95 95 - Fax : (33) 02 37 38 95 99

Internet : www.verlinde.com